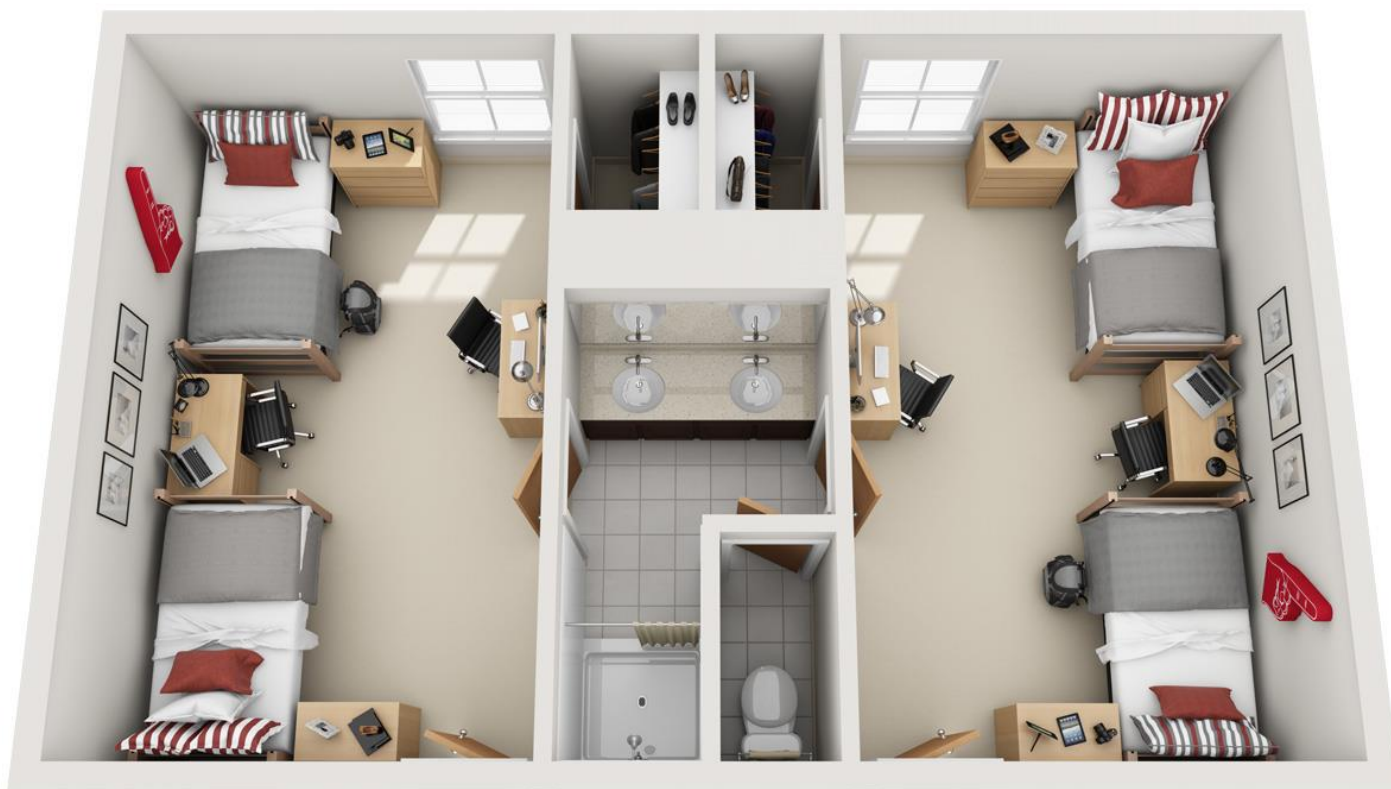


Residence Hall Room Styles

See these layouts online at www.housing.utah.edu.



Double Room



Renderings are an artist's conception and are intended only as a general reference.
Features, materials, finishes and layout of subject unit may be different than shown. 3DPlans.com

Triple Room



Renderings are an artist's conception and are intended only as a general reference. Features, materials, finishes and layout of subject unit may be different than shown. 3DPlans.com

Residence Hall Room Styles

See these layouts online at www.housing.utah.edu.



Chapel Glen Double

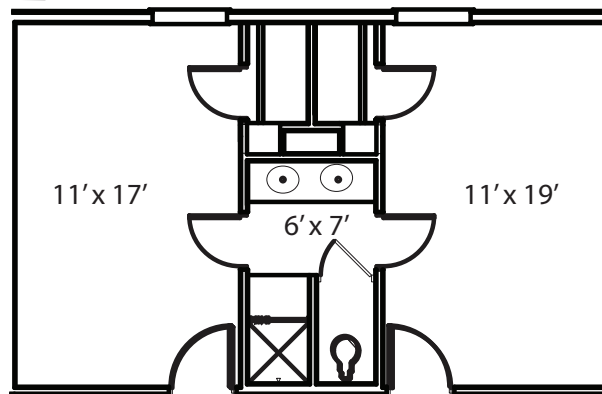
Single and Double Rooms
Available to: First-year Students

Double Bedroom 1

Room: 187 sq. ft.
Closet: 9 sq. ft.

Bathroom

Shared: 42 sq. ft.



Double Bedroom 1

Room: 187 sq. ft.
Closet: 9 sq. ft.

Gateway Heights Double and Triple

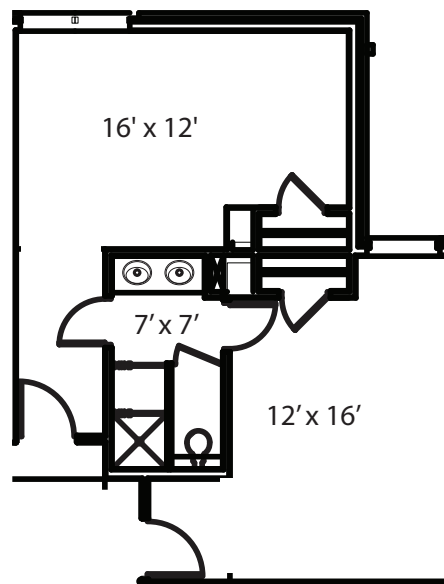
Double Rooms
Available to: First-year Students

Double Bedroom 1

Room: 192 sq. ft.
Closet: 12 sq. ft.

Bathroom

Shared: 49 sq. ft.



Double Bedroom 2

Room: 192 sq. ft.
Closet: 12 sq. ft.

* These floor plans are approximate only and may not reflect actual configurations. There may be variation in size.