

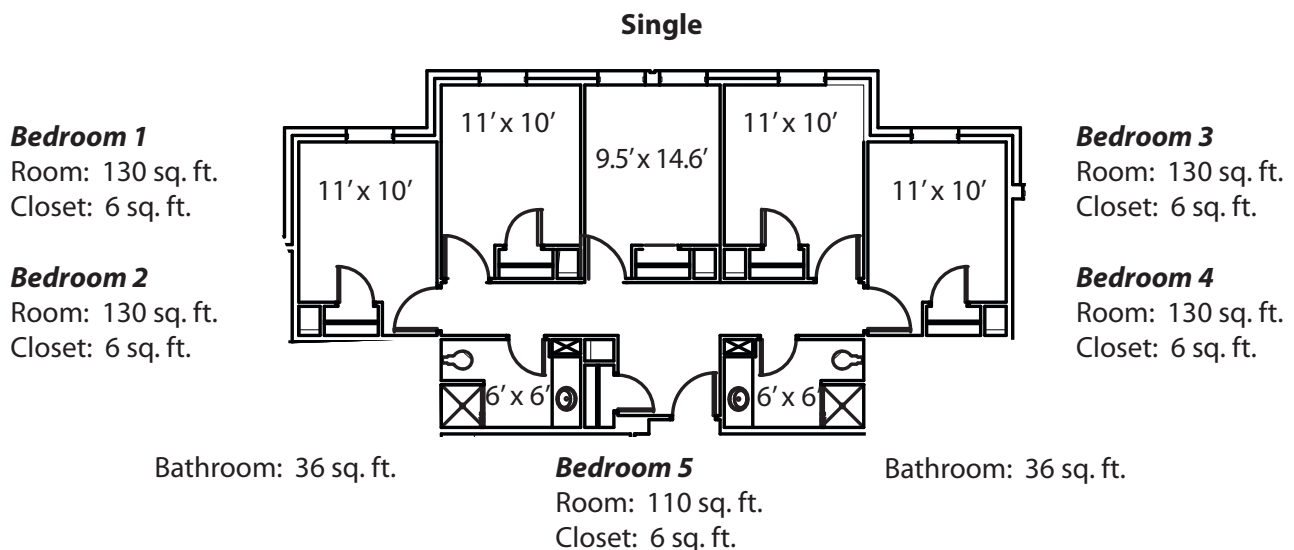
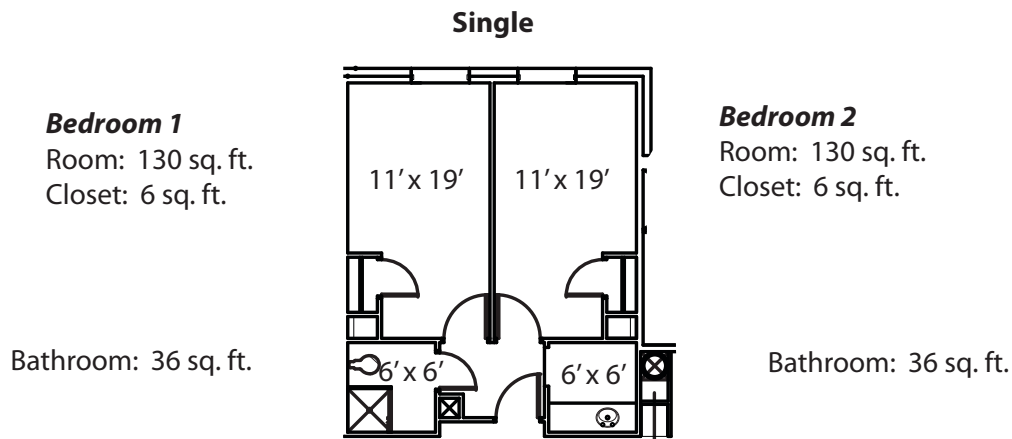
# Residence Hall Room Styles

See these layouts online at [www.housing.utah.edu](http://www.housing.utah.edu).



## Sage Point

Single Rooms with either two or five bedrooms.  
Available to: First-Year Students



\* These floor plans are approximate only and may not reflect actual configurations. There may be variation in size.

# Residence Hall Room Styles

See these layouts online at [www.housing.utah.edu](http://www.housing.utah.edu).



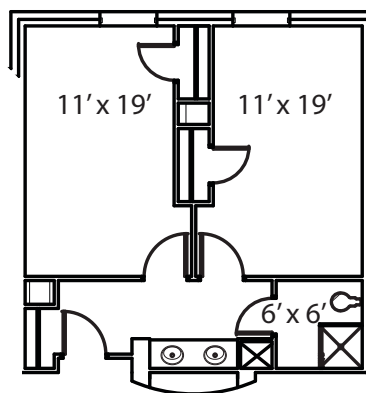
## Sage Point (continued)

Double and Triple, Double Double Single Rooms  
Available to: First-Year Students

### Double and Triple

#### **Bedroom 1**

Room: 209 sq. ft.  
Closet: 9 sq. ft.



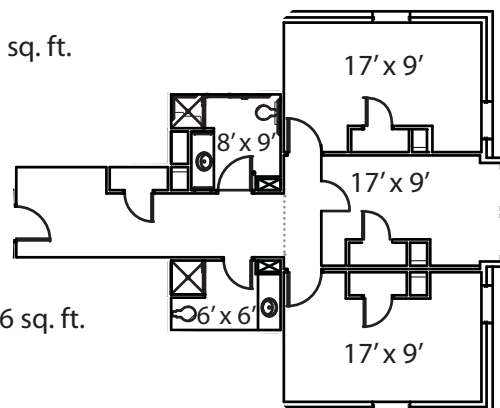
#### **Bedroom 2**

Room: 209 sq. ft.  
Closet: 9 sq. ft.

Bathroom: 36 sq. ft.

### Double Double Single

Bathroom: 72 sq. ft.



Bathroom: 36 sq. ft.

#### **Bedroom 1 (Double)**

Room: 153 sq. ft.  
Closet: 9 sq. ft.

#### **Bedroom 2 (Single)**

Room: 153 sq. ft.  
Closet: 9 sq. ft.

#### **Bedroom 3 (Double)**

Room: 153 sq. ft.  
Closet: 9 sq. ft.

\*These floor plans are approximate only and may not reflect actual configurations. There may be variation in size.

# Residence Hall Room Styles

See these layouts online at [www.housing.utah.edu](http://www.housing.utah.edu).



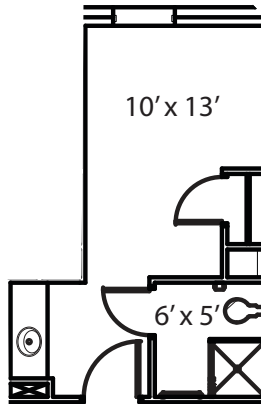
## Sage Point (continued)

Super Single, and Super Double or Super Triple  
Available to: First Years

### Super Single

#### Bedroom

Room: 130 sq. ft.  
Closet: 7 sq. ft.

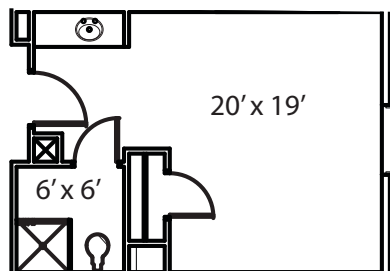


Bathroom: 30 sq. ft.

### Super Double or Super Triple

#### Bedroom

Room: 380 sq. ft.  
Closet: 8 sq. ft.



Bathroom: 36 sq. ft.

\* These floor plans are approximate only and may not reflect actual configurations. There may be variation in size.