

# Residence Hall Room Styles

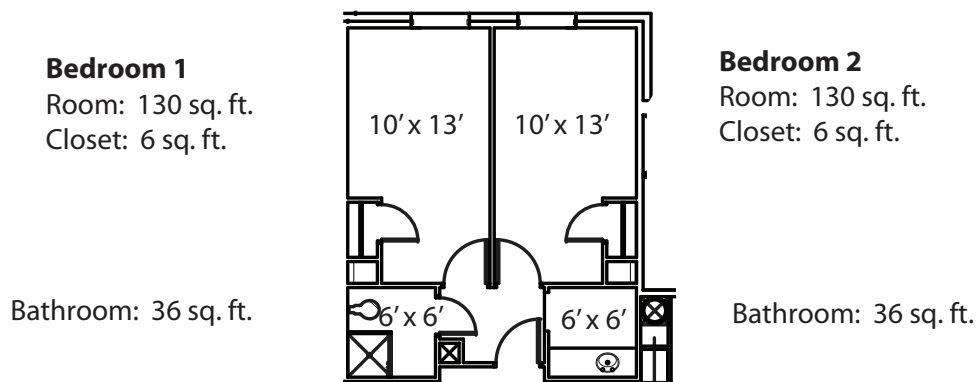
See these layouts online at [www.housing.utah.edu](http://www.housing.utah.edu).



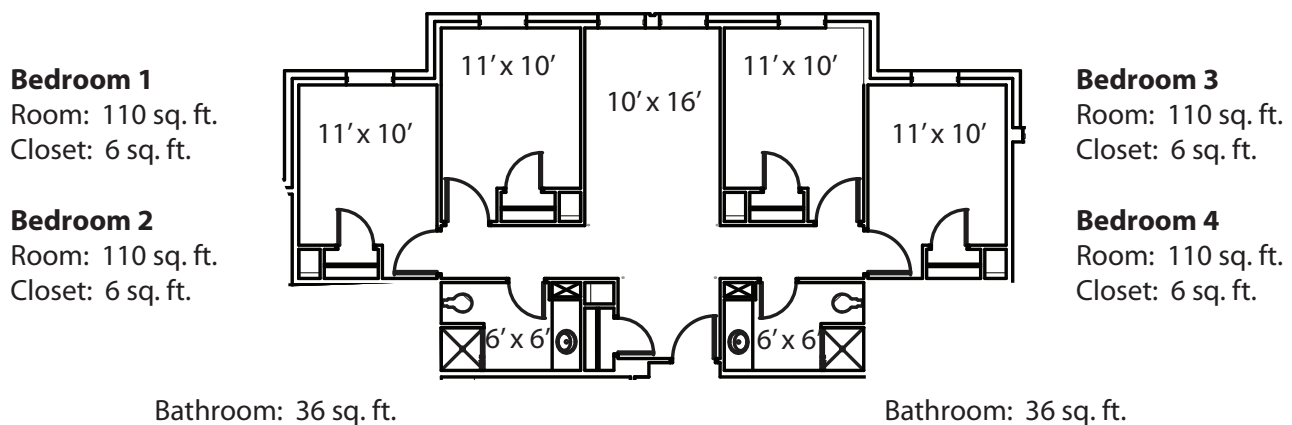
## Sage Point

Double and Double Deluxe, Single and Single Deluxe Rooms  
Available to: First -year Students

### Single



### Single Deluxe



\* These floor plans are approximate only and may not reflect actual configurations. There may be variation in size.

# Residence Hall Room Styles

See these layouts online at [www.housing.utah.edu](http://www.housing.utah.edu).



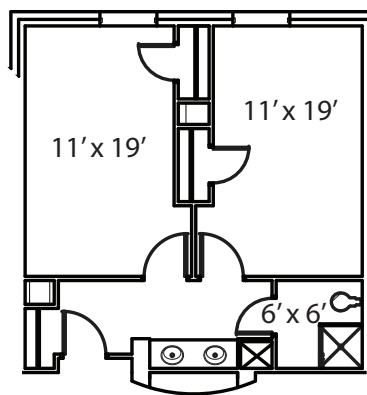
## Sage Point

Double and Double Deluxe, Single and Single Deluxe Rooms  
Available to: First-year Students

### Double and Triple

#### Bedroom 1

Room: 209 sq. ft.  
Closet: 9 sq. ft.



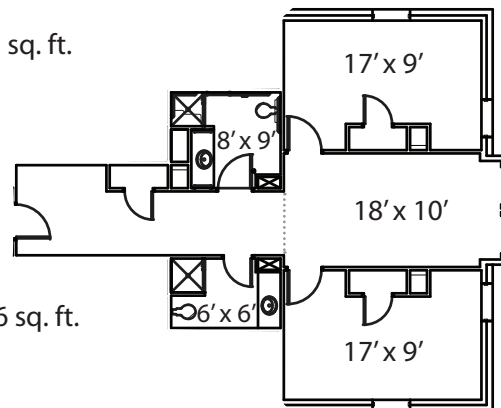
#### Bedroom 2

Room: 209 sq. ft.  
Closet: 9 sq. ft.

Bathroom: 36 sq. ft.

### Double Deluxe and Triple Deluxe

Bathroom: 72 sq. ft.



Bathroom: 36 sq. ft.

#### Bedroom 1

Room: 153 sq. ft.  
Closet: 9 sq. ft.

#### Bedroom 2

Room: 153 sq. ft.  
Closet: 9 sq. ft.

\* These floor plans are approximate only and may not reflect actual configurations. There may be variation in size.

# Residence Hall Room Styles

See these layouts online at [www.housing.utah.edu](http://www.housing.utah.edu).



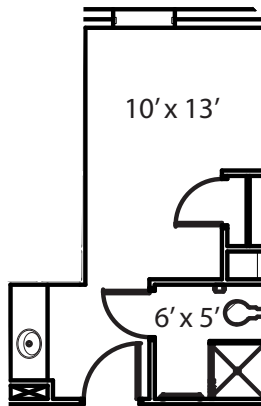
## Sage Point

Double and Double Deluxe, Single and Single Deluxe Rooms  
Available to: First-year Students

### Super Single

#### Bedroom

Room: 130 sq. ft.  
Closet: 7 sq. ft.

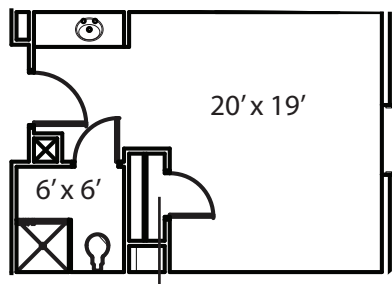


Bathroom: 30 sq. ft.

### Super Double and Super Triple

#### Bedroom

Room: 380 sq. ft.  
Closet: 8 sq. ft.



Bathroom: 36 sq. ft.

\* These floor plans are approximate only and may not reflect actual configurations. There may be variation in size.